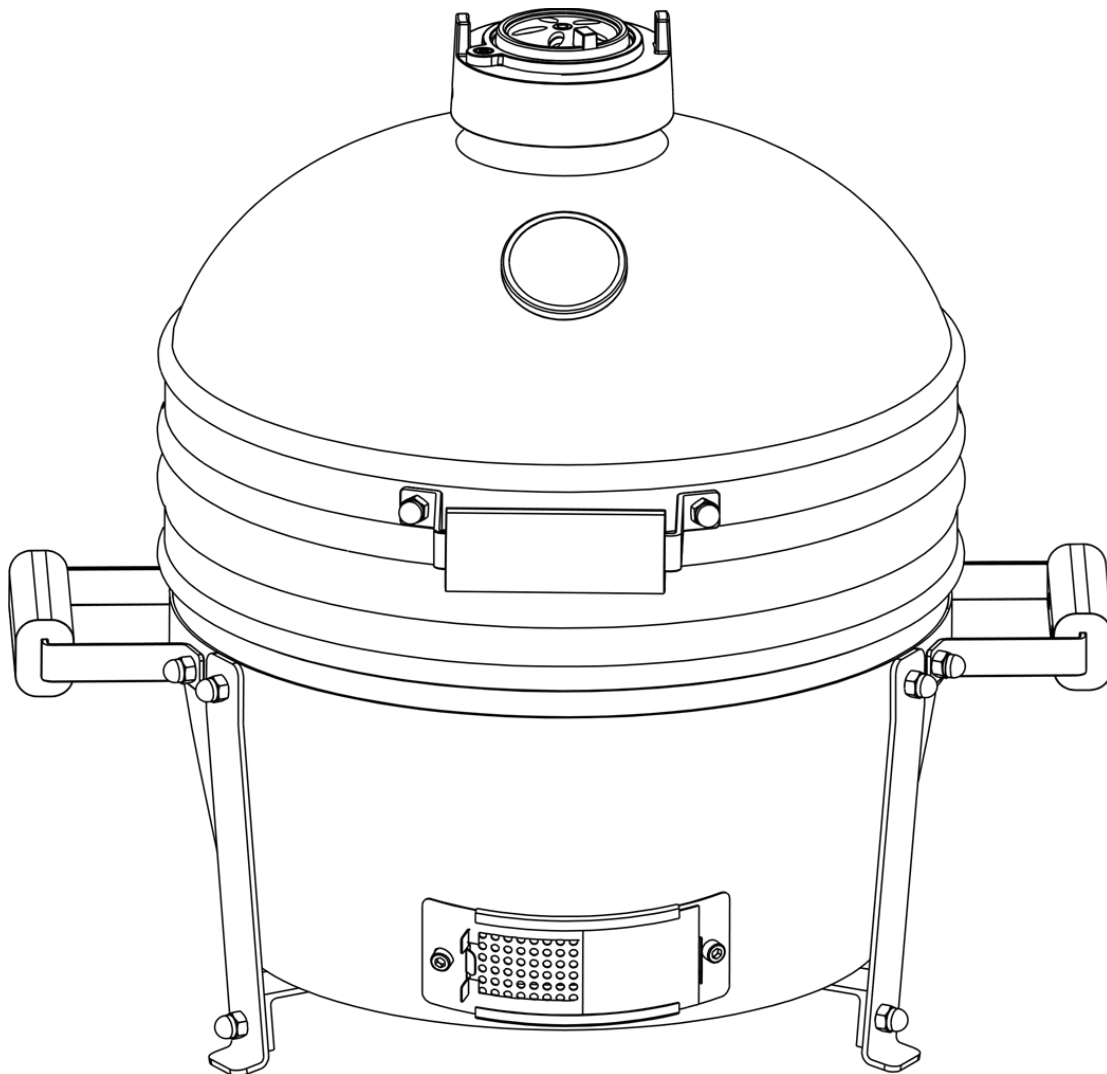




RHINO

K A M A D O

USER MANUAL



User manual – Keep for future use

IMPORTANT - READ THE INSTRUCTIONS CAREFULLY BEFORE ASSEMBLY OR USE

These instructions are part of the product, read them carefully in their entirety and keep them for future reference. Please take note of all safety warnings listed in these instructions. Improper use of the device could create the danger of fire, serious injury and death. Always keep children and pets away from the device during use. Some parts of the device are very heavy, if necessary ask for the help of another person for assembly. Carefully remove all packaging before use, but retain instructions.

This product is for external use **only**.

WARNINGS



ATTENTION!

- Read and follow the instructions in this user manual carefully and always pay the utmost attention when using the device. Improper use of the device could produce the danger of fire, serious injury and death.
- This product is intended FOR EXTERNAL USE ONLY. DO NOT use indoors.
- ALWAYS keep children and pets away from the device during use.
- NEVER leave a burning fire unattended.
- DANGER of carbon monoxide poisoning. NEVER light up this product or allow it to cool in a confined space.
- DO NOT use this product in a tent, caravan, car, cellar, loft or boat.
- DO NOT use under awnings, umbrellas or gazebos.
- FIRE HAZARD – Hot embers may come out during use.
- CAUTION – DO NOT use gasoline, thinner, lighter fluid, alcohol or other similar chemicals for lighting or relighting. Only use firelighters that comply with EN 1860-3.
- ONLY use charcoal.
- DO NOT use this device on hardwood floors or other flammable surfaces such as dry grass, wood chips, leaves or decorative bark.
- MAKE SURE the device is placed at least 2 meters away from flammable objects.
- DO NOT use this device as a furnace.
- DO NOT use the device in adverse weather conditions, especially in strong winds.
- CAUTION: This product will get very hot, DO NOT move it during operation.
- ALWAYS USE heat resistant gloves compliant with EN 407 when using the device (also for adjusting the vents).
- ALWAYS USE appropriate heat resistant tools.
- During use, when opening the lid at high temperatures, lift the lid VERY SLOWLY, allowing air to enter slowly and safely, preventing drafts or fire which could cause injury.
- NEVER USE water or other liquids to put out the fire or reduce flare-ups but act on the oxygen flow by closing the lid and acting on the lower and upper air vents.
- Allow the device to cool COMPLETELY before cleaning, moving, covering or storing.
- CHECK PERIODICALLY, especially after the first uses, the correct tightening of all the screws of the device.
- ALWAYS INSPECT device before use for possible damage and repair if and when necessary.
- NEVER USE liquids to clean the inside of the device, the internal surfaces are porous and absorb the fluids used. This could cause the device to break or produce malodorous and/or toxic fumes during use.
- NEVER USE abrasive cleaners to clean the grills and cooking surfaces.
- This device is made up of VERY HEAVY parts, if necessary ask for the help of another person for assembly.
- DO NOT try to lift the device without the help of at least one other person.

INSTRUCTIONS FOR USE AND MAINTENANCE

FIRST USE OF THE DEVICE

- Light up the device for the first time without cooking food.
- Light up the device as indicated in the appropriate following section, using a little charcoal.
- Leave the charcoals to burn with the lid closed until the fuel is completely extinguished.
- During the first ignitions, do not reach temperatures that are too high so as not to damage the gasket before it has finished its "maturation" (it is advisable not to exceed 200°C on the first ignition).
- After first use, inspect all screws. The metal band that connects the lid to the base will expand in the heat and may become loose. It is recommended to check and, if necessary, tighten the band with a wrench.
- Now you can use the device normally.

LIGHT UP, USE AND SAFETY INFORMATION

- Make sure the device is placed on a stable, non-flammable, flat, level and heat-resistant surface away from flammable objects.
- Make sure the device has a minimum distance of 2 meters in all directions from surrounding objects.
- To light up the fire, place solid fire starter cubes on the fire starter plate at the base of the device or in the charcoal basket provided. Then add 2 or 3 handfuls of chopped charcoal on top. Alternatively, an electric igniter can be used, in which case please refer to the instructions provided by the igniter manufacturer.
- We recommend the use of charcoal in pieces as fuel. Burns longer and produces less ash which can restrict airflow.
- **NEVER USE** gasoline, thinner, lighter fluid, alcohol, or other similar chemicals to light or relight a fire. Only use firelighters that comply with EN 1860-3.
- The use of the charcoal lighter chimney is not recommended, as inserting already lit charcoal inside the device can damage it, especially when used at low atmospheric temperatures.
- **DO NOT** overload the device with too much charcoal. An excess of fuel could limit the air flow and make ignition difficult or subsequently generate too intense fire which could damage the device.
- Open the lower vent and light the starter cubes with the appropriate "long necked" lighters or long matches. In case of using an electric lighter go directly to the next steps.
- Once the starter cubes have been lit, leave the lower vent and the lid open for about ten minutes, or in any case until a small bed of hot embers forms.
- Allow the charcoal to heat up and keep it hot for at least 30 minutes before placing food in the appliance. **DO NOT** start cooking before the fuel has a coating of ash.
- It is advisable not to add more charcoal or move it once lit. This allows the coals to burn more evenly and efficiently.
- Once lit, use **ONLY** heat resistant gloves compliant with EN 407 for handling hot ceramics, cooking surfaces and for adjusting the vents.
- See below for cooking instructions according to temperature and duration.

COOKING GUIDE

- Light the charcoal according to the instructions above.
- Close the lid leaving the lower and upper air vents fully open until the desired temperature is reached.
- Adjust the air vents according to the type of cooking to be carried out (see table below for an indication). With practice it will be easier and faster to find the right settings.
- The device is now ready for cooking food.
- **IMPORTANT:** When opening the lid in high temperatures it is essential to lift the lid very slowly, allowing air to enter slowly and safely, preventing drafts or fire which could cause injury.
- **ALWAYS** use heat resistant gloves compliant with EN 407 when handling hot ceramics, cooking surfaces and adjusting vents.

NOTES ON SMOKING

- Follow the above instructions for light up and cooking.
- Once the desired temperature has been reached and the vents adjusted, sprinkle the food smoker wood over the hot charcoal using heat resistant gloves.
- Use **ONLY** food smoking wood, do not use self-harvested wood as it could contain resins or other elements harmful to health.

INSTRUCTIONS FOR USE AND MAINTENANCE







TIPS FOR COOKING FOOD

- Always wash your hands before and after handling raw meat and/or fish and before eating.
- Always keep raw meat and fish away from cooked foods and other foods in general.
- Before cooking, make sure that the cooking surfaces and tools are clean and free from old food residues.
- **DO NOT** use the same utensils to handle cooked and raw foods.
- After cooking on the device, always clean the cooking surfaces and utensils.

REFUELING

- With the vents closed, the device remains at a high temperature for several hours. For particularly long cooking times it may be necessary to add more charcoal, this is possible but it is necessary to pay attention to the high temperatures. Therefore, always use protective gloves against high temperatures compliant with EN 407 and/or special heat-resistant tools (not included) to remove the grates and be able to reach the embers below.

INDICATIONS ON THE COOKING SETTINGS

TYPE OF COOKING	UPPER AIR VENT	LOWER AIR VENT
Smoking (110°C-135°C)		
Long cooking (160°C-180°C)		
Grilling (260°C-370°C)		

Open  Closed 

PUT OUT

- To extinguish the device, stop adding fuel, close the lid and all vents, the absence of oxygen will allow the fire to die out naturally.
- **DO NOT** use water to put out the charcoal as it may damage the device and generate incandescent vapors which could cause serious injury.

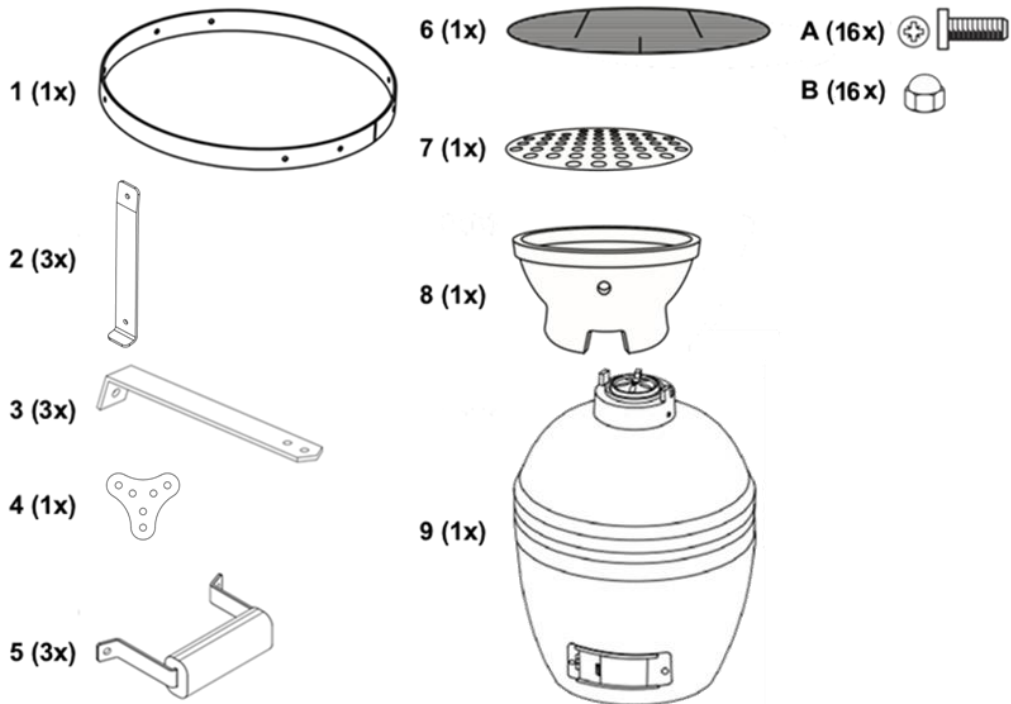
CLEANING

- The device is self-cleaning. Simply heat it up to 260°C for 30 minutes and all food and debris will be burned.
- **ALWAYS** wait for the device to cool completely before removing the ashes. **ATTENTION** the ash can remain hot even for many hours after the end of cooking.
- **DO NOT** use water or other types of products to clean the inside of the device. The walls are porous and absorb the fluids used, this could cause the device to break and generate malodorous and/or toxic fumes during subsequent cooking. If the soot becomes excessive, use a wire brush (not supplied) to scrape off the remains before next use taking care not to damage the ceramic.
- To clean the external surface, wait for the device to cool down and use a damp cloth with a mild detergent.
- To clean the cooking surfaces, use a non-abrasive dishwashing detergent once the appliance has completely cooled down.
- The cooking surfaces are NOT dishwasher safe; use a mild detergent with warm water.

MAINTENANCE

- Check that all screws are properly tightened and lubricate the hinges twice a year or even more often if necessary **paying attention** not to let the lubricant flow inside the device.
- When not in use and if stored outdoors, cover the **fully cooled** device with a suitable rain cover. If possible, it is recommended that you store your device indoors during the winter for complete protection.

DEVICE PARTS LIST



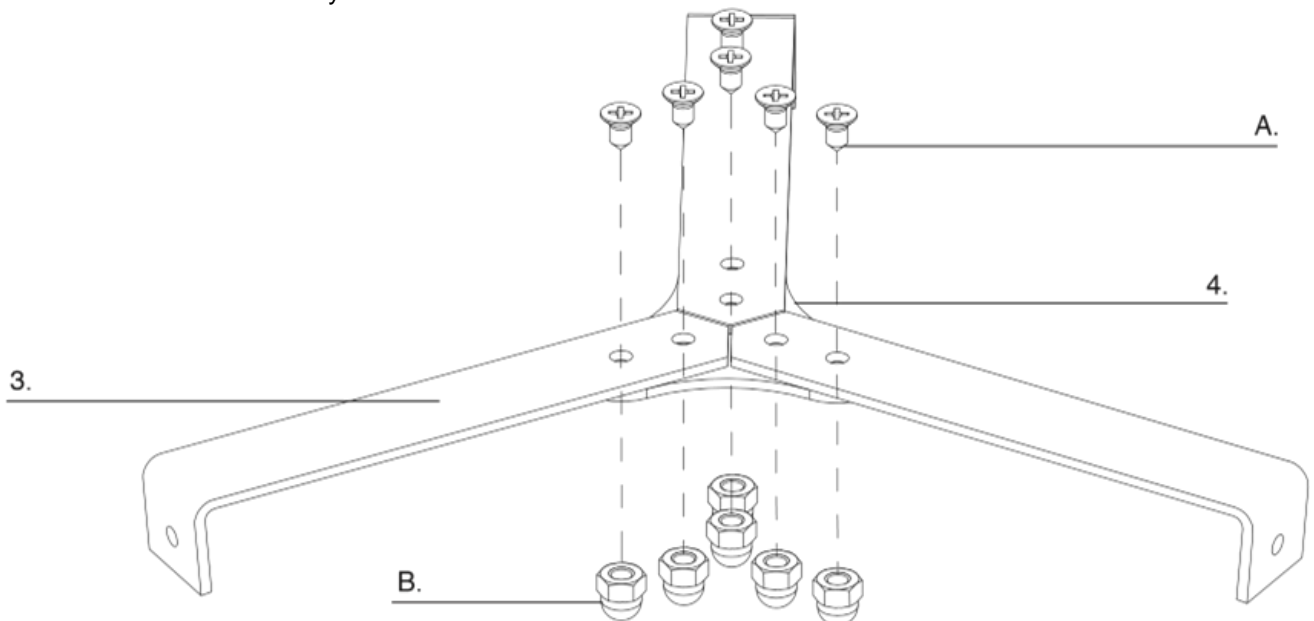
Before assembling the device, read the instructions carefully. Check that all parts listed above are present. Perform the assembly on a soft surface to avoid damaging the various parts. Keep these instructions for future reference.

CAUTION – never overtighten the screws and bolts to avoid damaging the device.

CAUTION – some parts are very heavy, request the help of another person if necessary.

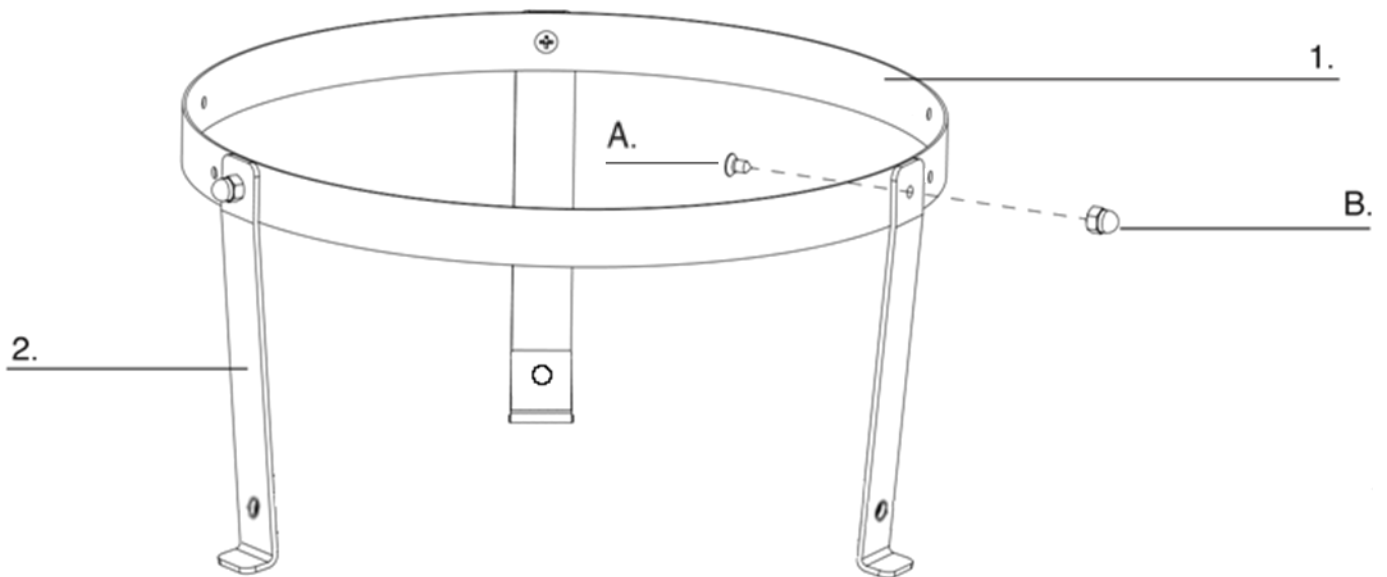
ASSEMBLY INSTRUCTIONS

IMPORTANT – Remove all packaging before use, but retain the safety instructions for future reference. Make sure the lid is closed before assembly.

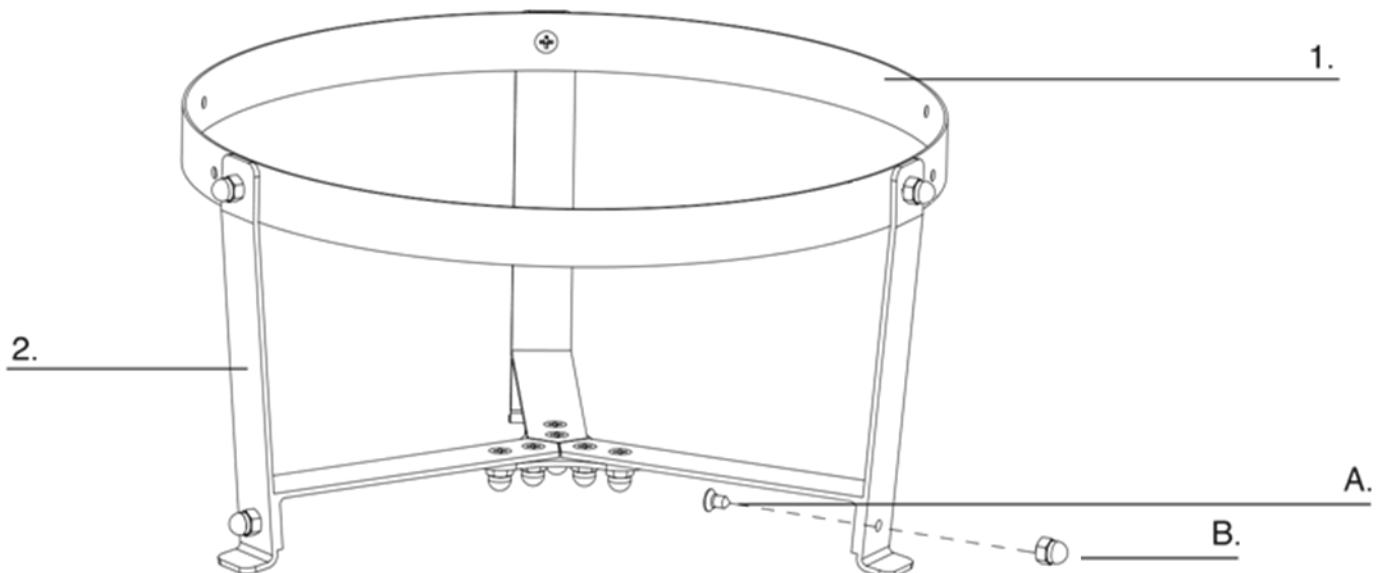


STEP 1 - Fix the 3 brackets (3) and the triangular connection piece (4) using 6 screws (A) with 6 pan head nuts (B).

ASSEMBLY INSTRUCTIONS

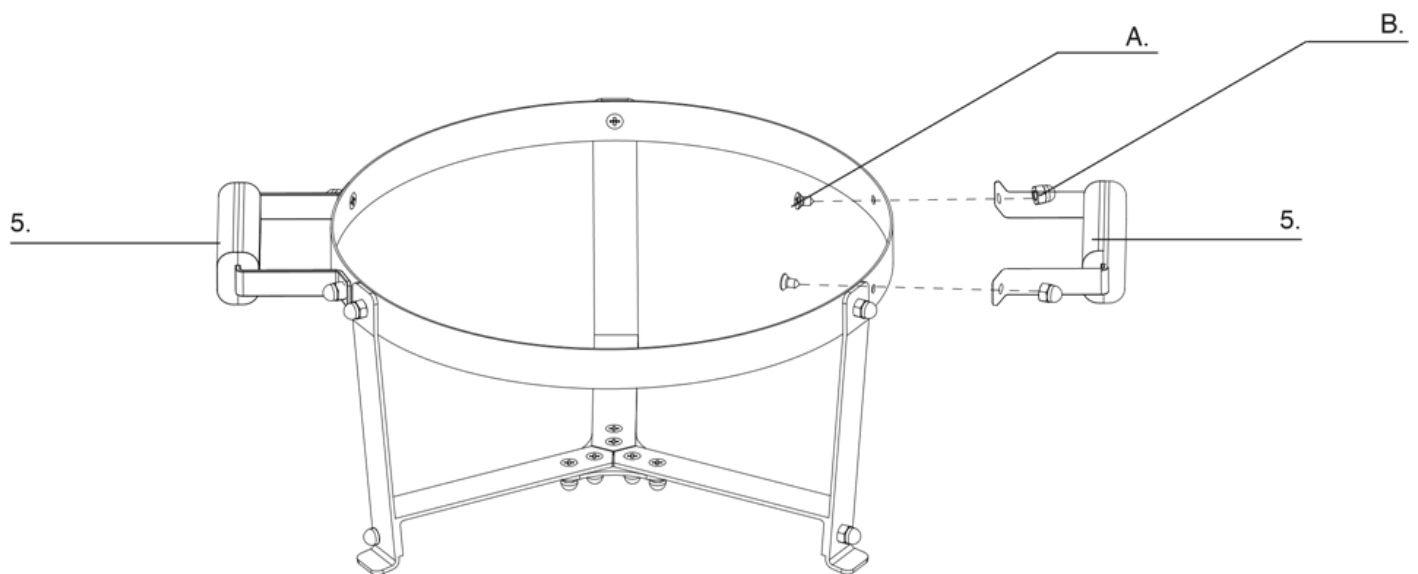


STEP 2 – Fix the 3 brackets (2) to the ring (1) using 3 screws (A) with 3 pan head nuts (B).

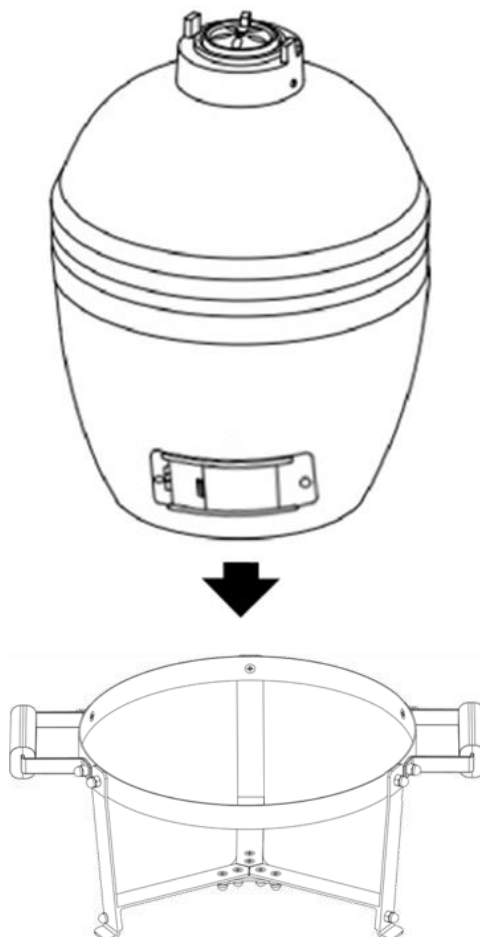


STEP 3 – Use 3 screws (A) with 3 button nuts (B) to fix the ring and brackets fixed in step 2 with the base assembled in step number 1.

ASSEMBLY INSTRUCTIONS

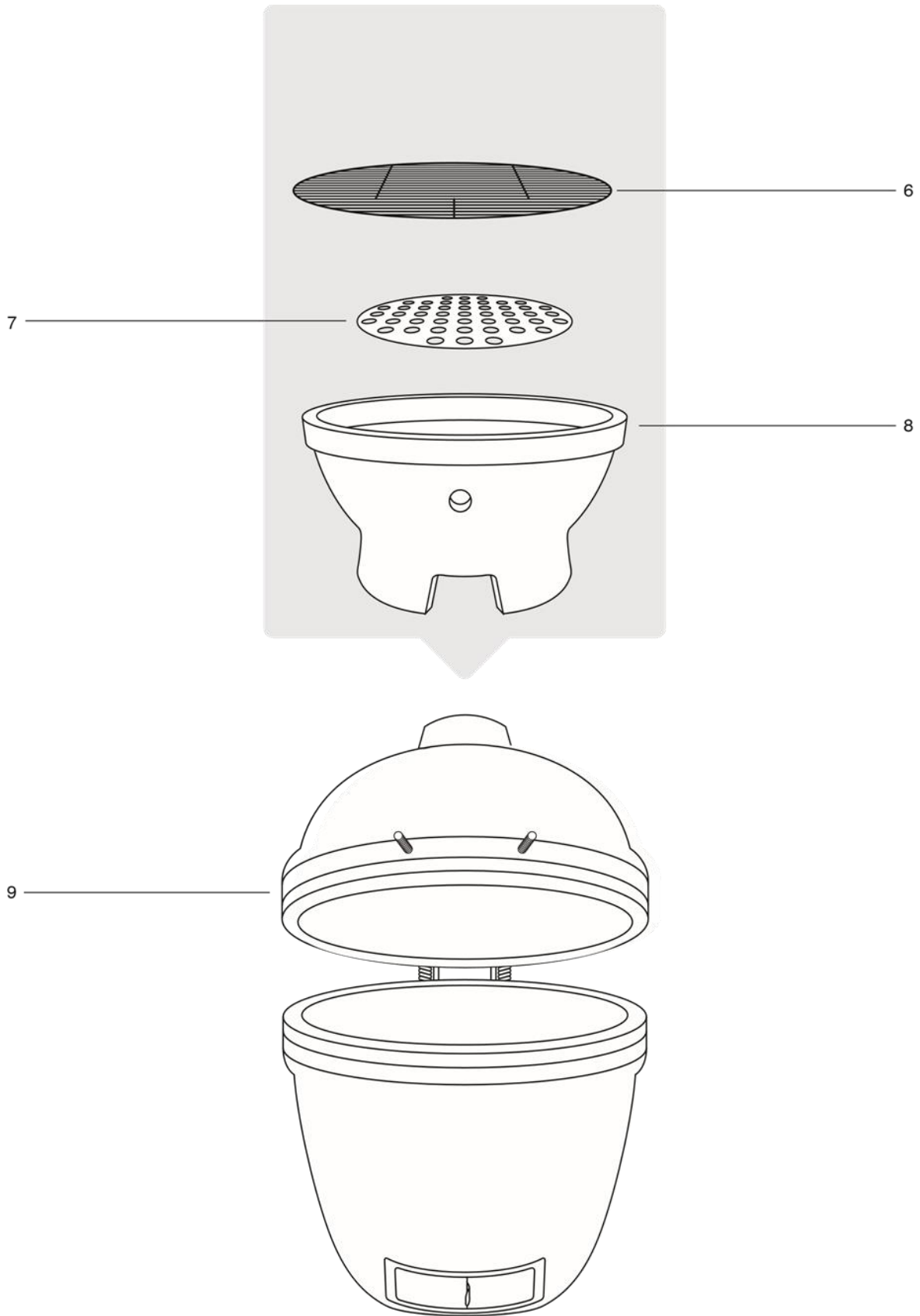


STEP 4 – Fix the 2 side handles (5) to the ring (1) using 4 screws (A) with 4 pan head nuts (B).



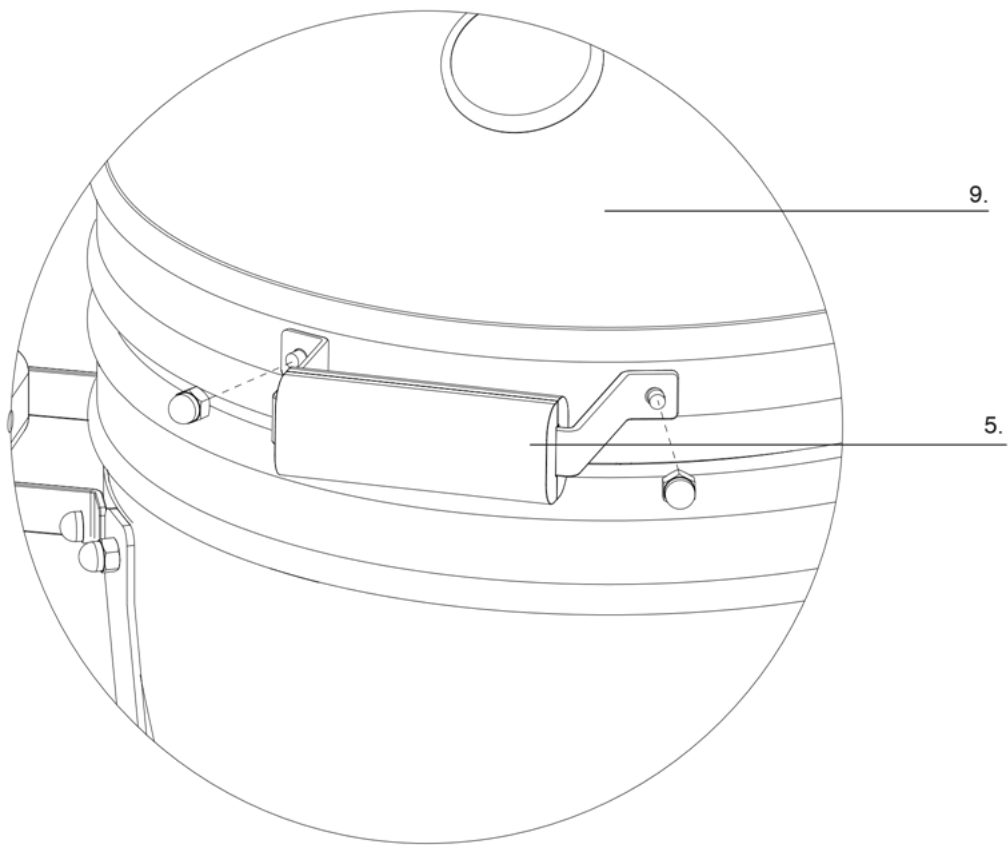
STEP 5 - Position the device inside the stand created in the previous steps, positioning the lower air vent facing the front of the stand, in order to allow for correct ventilation and to be able to open and close the door without any hindrance. **WARNING:** the device is very heavy, request the help of another person if necessary.

ASSEMBLY INSTRUCTIONS



STEP 6 - When the device is firmly positioned on the stand add the firebox (8), charcoal support plate (7) and cooking grate (6) inside the device as shown in the assembly diagram. Make sure that the air vent of the firebox coincides with that of the device.

ASSEMBLY INSTRUCTIONS



STEP 6 - Attach the front handle (5) to the lid by aligning the holes in the handle with the pre-installed bolts on the lid. Secure the handle (5) with the 2 pre-assembled dome nuts.

